

# Eccentric rounder + moulder (round and short breads)

## ROLLER DUAL

### FEATURES

- Steel frame
- Motorisation with two independent motors one for the rounder, one for the baguettes shaper
- Bell with circular planetary movement with eccentricity adjustment
- Bell and ring covered with felt or with non adhesive material
- Model fitted with conveyor mobile belt that will receive rounded bread in the upper part, and loaves, short breads in the lower part.
- **Loaves and short breads** shaper with laminating roll and adjusting table .
- Mobile on wheels and fitted with a locking device.
- Available in 78 and 120cm



### OPTIONS

- Frequency variator: to adjust the oscillation speed of the bell.
- Flour device: with independent motor.
- Stainless steel base
- Lowered rounder for lower feed
- Available with motorized conveyor output
- Bell and ring covered with non-stick coating (felt as standard).

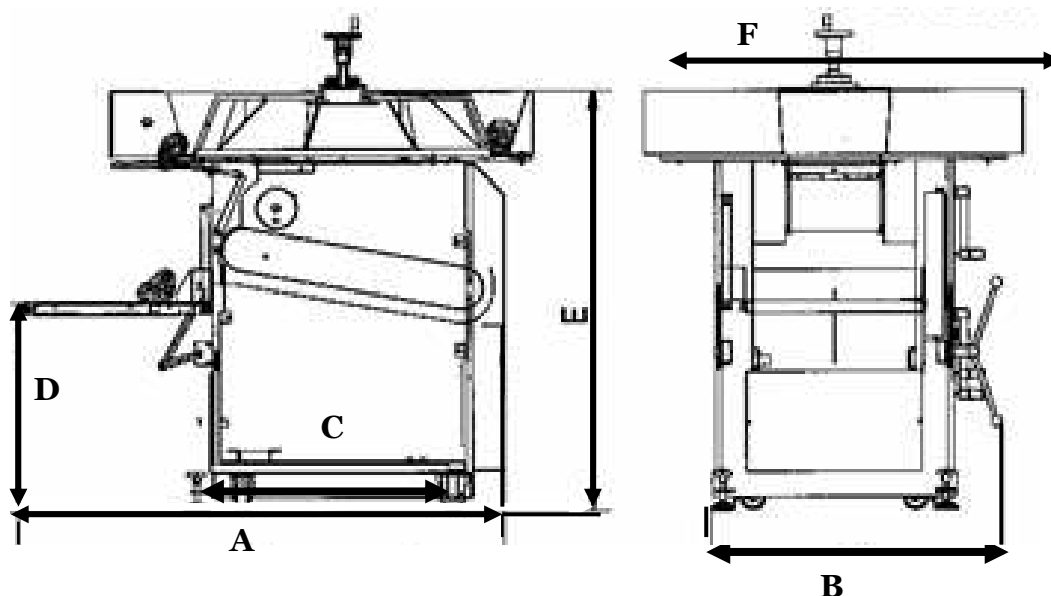
### CAPACITIES

High productivity up to 1800 pieces/hour that save a lot of time.

### USE

Machine for rounding **loaves, balls and short breads** with weight from 75 gr up to 4000 gr (rounding).

## OVERALL DIMENSIONS



cm	A	B	C	D	E	F
Model 1	155	93	93	65-83	131	120
Model 2	142	88	93	65	131	120

## ELECTRICAL DATA

- 380 Volts / 50 Hz / 2,25 Kw / 7,0 A
- 380 Volts / 60 Hz / 2,25 Kw / 7,0 A
- 220 Volts / 50 Hz / 2,25 Kw / 7,0 A
- 220 Volts / 60 Hz / 2,25 Kw / 7,0 A

Power supply : cable of 3m with male plug sorting TRI + T + N

## WEIGHT AND PACKAGING

Net weight : 526 kg

Packaging on slatted wood box pallet :

Gross weight : 640 kg

Dimensions : (Length x Width x Height)

1.65m x1.05m x1.65 m



## HYGIENE — SECURITE

The Roller Dual rounder is in accordance:

- with 89/392 EEC, the directive on hatches.
- with the labour regulations.